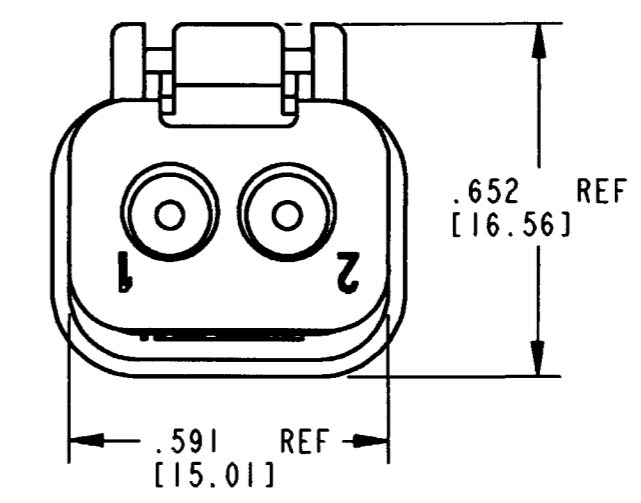
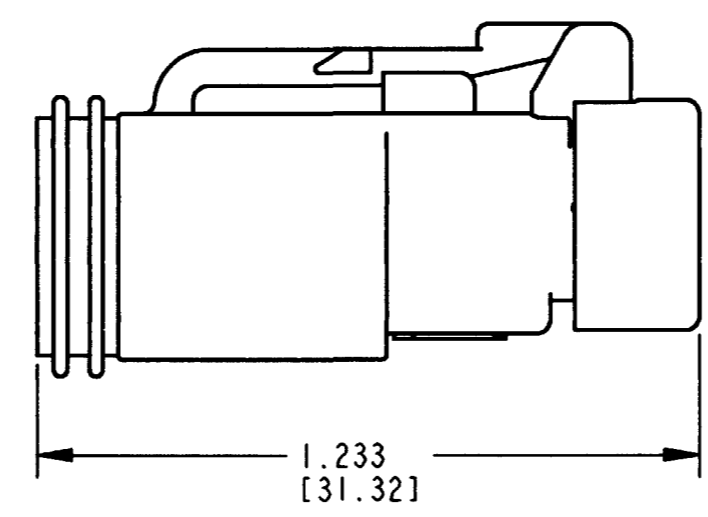
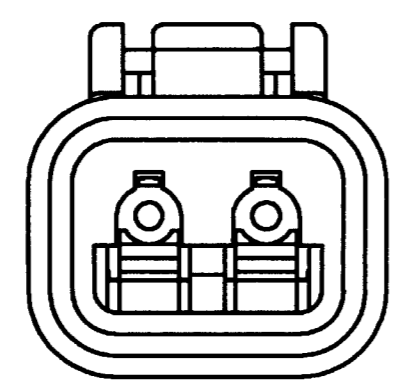
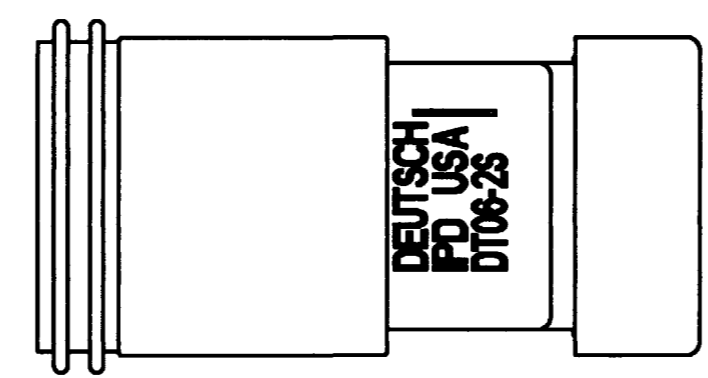


REV B	DT06-2S-E005	REVISIONS		
SYM	DESCRIPTION	DATE	APPROVED	
NC	NEW RELEASE PER E.O. A13781	8/19/92	J.A.	
A	REVISED PER E.O. A14912	11-9-95	R.D.R.	
B	REVISED PER E.O. P17685	4-17-02	RDR	



CONTACT SIZE	MIN. INSUL. O.D.	MAX. INSUL. O.D.	WIRE RANGE [mm ²] REF ONLY
16	.088 [2.24]	.145 [3.68]	14-20 AWG [2.0-0.5]



5. SHELL MATERIAL: PLASTIC
SEAL MATERIAL: RUBBER
4. THIS PLUG MATES WITH DT04-2P-**** (**** = ALL MODIFICATION)
CONSULT FACTORY FOR MODIFICATIONS.
3. FOR CONTACTS AND WIRE PERFORMANCE AND APPLICATION CHARACTERISTICS,
SEE ENVELOPE DRAWINGS 0425-015-0000 AND 0425-017-0000.
2. ALL DIMENSIONS ARE ±.025 [0.64] UNLESS OTHERWISE SPECIFIED.
1. ALL DIMENSIONS ARE IN INCHES [MILLIMETERS].
- NOTES:

SIGNATURE & DATE		2 WAY PLUG -E005 MOD. COLOR: BLACK D.T. SERIES	CP	MATL. CODE
DR	X. SANCHEZ 22MAR02		The Deutsch Company DEUTSCH I.P.D. 3850 INDUSTRIAL AVE. HEMET, CALIF. 92545	
CHK	Jamil C. Lopez 4/11/02		B DT06-2S-E005	
PE	John Johnson 4/19/02			
APPD	SBend 4-9-02	DWG SIZE	CODE 11139	SHEET OF
SCALE	NONE WT	ENVELOPE		